

INVENGO

XC-AF900R1+BEN



About Invengo's XC-AF900R1+BEN Antenna

Invengo's XC-AF900R1+BEN linear polarized antenna offers high gain and covers the frequency band of 840MHz~868MHz. The antenna is uniquely designed with a high protection level, excellent RF performance and easy installation. The XC-AF900R1+BEN antenna is ideal for intelligent transportation systems, road/bridge/port vehicle management, digital warehouse management and logistics applications.



Invengo – The global leading RFID and IoT solution provider – is a leading developer and manufacturer of high quality, intelligent RAIN RFID and HF/NFC connectivity solutions and consumables (tags & inlays) utilized in the Internet of Things. With a focus on RFID innovation, Invengo has created a leading product line in retail, library, (public) transportation, healthcare, and many other industries.

Invengo Technology Pte. Ltd. (SG) is the International Headquarters of Invengo Information Technology Co., Ltd, listed on Shenzhen Stock Exchange (SZSE: 002161.SZ). Employing over 700 people globally, Invengo is one of the largest publicly traded, RFID / IoT oriented companies in the world.

Features

- Applied on UHF RFID
- High gain and linear polarization
- IP rating: IP65
- Durable and graceful design

Application

- Vehicle management
- Warehouse management
- Logistics

Product Specifications

Performance Parameter

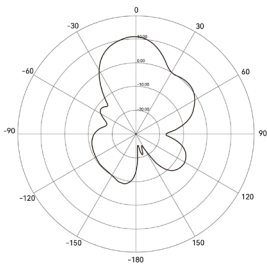
Operating Frequency	840MHz to 868MHz
VSWR	≤1.3:1
Gain	11dBi
H-Plane HPBW	86°
E-Plane HPBW	30°
Polarization	Linear
Impedance	50Ω
Connector	Type N

Environment

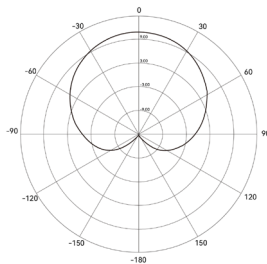
Operating Temperature	-40°C to +85°C
Storage Temperature	-40°C to +85°C
Humidity Range	≤95%RH

Physical Parameters

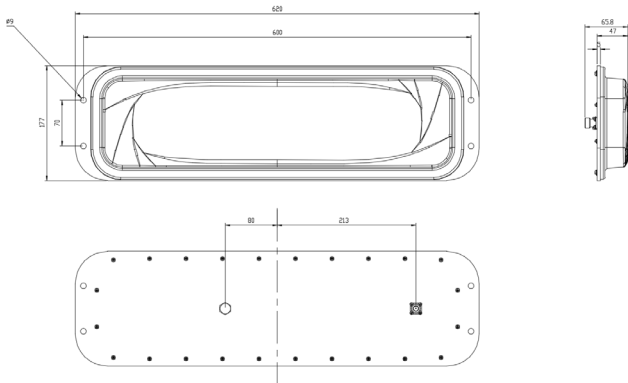
Length	620 mm (24.41 in)
Width	177 mm (6.97 in)
Thickness excluding connector	47 mm (1.85 in)
Thickness including connector	65.8 mm (24.41 in)
Weight	2.5kg
Radome material	Modified ASA
IP rating	IP65
Installation	Bracket or Bolt



E-Plane HPBW



H-Plane HPBW



XC-AF900R1+BEN Antenna Technology Specification

All Features and specifications described are subject to change without notice.

APAC / EMEA
Invengo Technology Pte. Ltd
 9 Kallang Place
 #07-01,
 Aperia Singapore 339154

Office: +65 6702 3909
 sales@invengo.com

Americas Sales
Invengo Technology Corp.
 1011 S HAMILTON RD
 Ste 300 CHAPEL HILL
 NC 27517-4409 USA T.

Office: +1 919 890 0202
 sales.americas@invengo.com

Global Library Solutions
FE Technologies Pty Ltd
 129 Fyans Street
 SOUTH GEELONG
 Australia 3220

Office: +1 300 731 991
 enquiries@fetechgroup.com

Global Handhelds Solutions
ATID CO.,LTD.
 #603, 184, Gasan Digital 2-Ro,
 Gumcheon-Gu, Seoul,
 Korea, 08501

Office: +82 544 1436
 inquiry@atid1.com