

# INVENGO XC-AF812-C(D)



---

## About Invengo's XC-AF812-C(D) Antenna

XC-AF812-C (D) Circular polarization series antenna, working frequency range covers 902MHz ~ 928MHz frequency band, according to different product models, RF head installation method can choose side out or back out.

This series of antennas through careful design, good protection, excellent RF performance, beautiful appearance. It is suitable for smart retail, digital warehouse management, logistics management and other fields.



Invengo – The global leading RFID and IoT solution provider – is a leading developer and manufacturer of high quality, intelligent RAIN RFID and HF/NFC connectivity solutions and consumables (tags & inlays) utilized in the Internet of Things. With a focus on RFID innovation, Invengo has created a leading product line in retail, library, (public) transportation, healthcare, and many other industries.

Invengo Technology Pte. Ltd. (SG) is the International Headquarters of Invengo Information Technology Co., Ltd, listed on Shenzhen Stock Exchange (SZSE: 002161.SZ). Employing over 700 people globally, Invengo is one of the largest publicly traded, RFID / IoT oriented companies in the world.

## Features

- Circular polarization
- High gain, high protection
- Beautiful and lightweight

## Application

- Smart retail
- Digital warehouse management
- Logistics management and other fields

# Product Specifications

## Performance Parameter

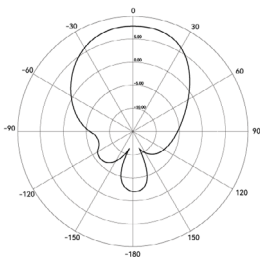
<b>Operating Frequency</b>	902MHz~928MHz
<b>Standing ratio</b>	≤1.3:1
<b>Characteristic impedance</b>	50Ω
<b>Gain</b>	9dBi
<b>Polarization mode</b>	Circular polarization
<b>RF connector</b>	N/SMA type RF coaxial connector
<b>HPBW</b>	E: 60°, H: 60°
<b>Degree of protection</b>	IP65

## Environment

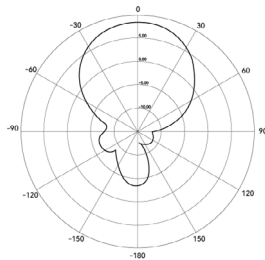
<b>Operating Temperature</b>	-40°C to +85°C
<b>Storage Temperature</b>	-40°C to +85°C
<b>Humidity Range</b>	≤95%RH

## Physical Parameters

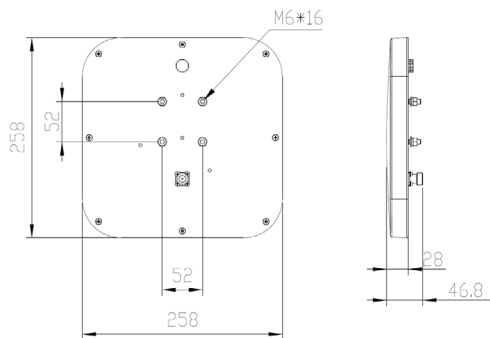
<b>Size</b>	258mm×258mm×28mm
<b>Weight</b>	0.73kg
<b>Housing material</b>	ABS+PC
<b>Installation method</b>	Bracket mounting/Screw fastening



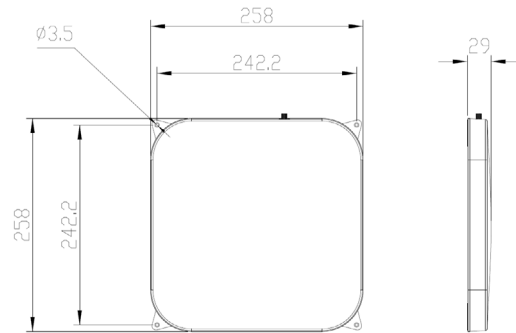
E-Plane HPBW



H-Plane HPBW



XC-AF812-CType antenna appearance dimension drawing



XC-AF812-DType antenna appearance dimension drawing

All Features and specifications described are subject to change without notice.

### APAC / EMEA

#### Invengo Technology Pte. Ltd

9 Kallang Place  
#07-01,  
Aperia Singapore 339154

Office: +65 6702 3909  
sales@invengo.com

### Americas Sales

#### Invengo Technology Corp.

1011 S HAMILTON RD  
Ste 300 CHAPEL HILL  
NC 27517-4409 USA T.

Office: +1 919 890 0202  
sales.americas@invengo.com

### Global Library Solutions

#### FE Technologies Pty Ltd

129 Fyans Street  
SOUTH GEELONG  
Australia 3220

Office: +1 300 731 991  
enquiries@fetechnology.com

### Global Handhelds Solutions

#### ATID CO.,LTD.

#603, 184, Gasan Digital 2-Ro,  
Gumcheon-Gu, Seoul,  
Korea, 08501

Office: +82 544 1436  
inquiry@atid1.com