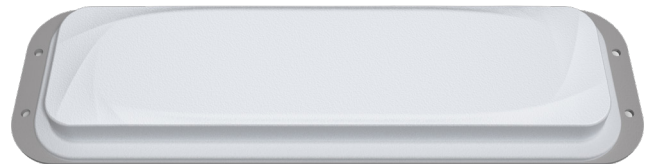


# INVENGO XC-AF900R1



---

## About Invengo's XC-AF900R1 Antenna

Invengo's XC-AF900R1 linear polarized antenna offers high gain and covers the frequency band of 902MHz~928MHz. It adopts CN and FCC standards. The antenna is uniquely designed with a high protection level, excellent RF performance and easy installation. The XC-AF900R1 antenna is ideal for intelligent transportation systems, road/bridge/port vehicle management, digital warehouse management and logistics applications.



Invengo – The global leading RFID and IoT solution provider – is a leading developer and manufacturer of high quality, intelligent RAIN RFID and HF/NFC connectivity solutions and consumables (tags & inlays) utilized in the Internet of Things. With a focus on RFID innovation, Invengo has created a leading product line in retail, library, (public) transportation, healthcare, and many other industries.

Invengo Technology Pte. Ltd. (SG) is the International Headquarters of Invengo Information Technology Co., Ltd, listed on Shenzhen Stock Exchange (SZSE: 002161.SZ). Employing over 700 people globally, Invengo is one of the largest publicly traded, RFID / IoT oriented companies in the world.

## Features

- Applied on UHF RFID and adopts CN&FCC
- High gain and linear polarization
- IP rating: IP65
- Durable and graceful design

## Application

- Vehicle management
- Warehouse management
- Logistics

# Product Specifications

## Performance Parameter

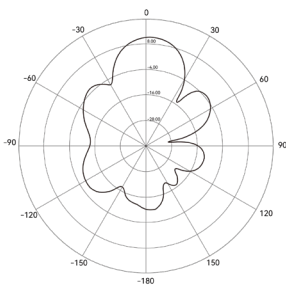
<b>Operating Frequency</b>	902MHz to 928MHz (CN&FCC)
<b>VSWR</b>	≤1.3:1
<b>Gain</b>	11dBi
<b>H-Plane HPBW</b>	84°
<b>E-Plane HPBW</b>	27°
<b>Polarization</b>	Linear
<b>Impedance</b>	50Ω
<b>Connector</b>	Tpye N

## Environment

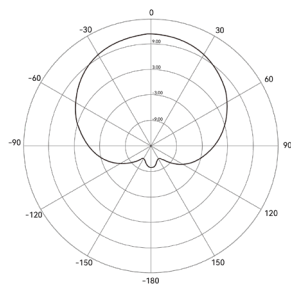
<b>Operating Temperature</b>	-40°C to +85°C
<b>Storage Temperature</b>	-40°C to +85°C
<b>Humidity Range</b>	≤95%RH

## Physical Parameters

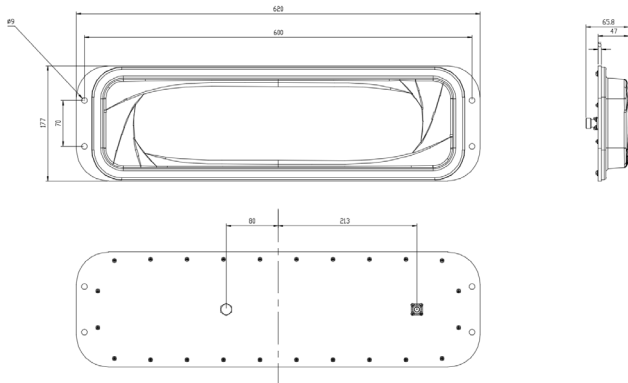
<b>Length</b>	620 mm (24.41 in)
<b>Width</b>	177 mm (6.97 in)
<b>Thickness excluding connector</b>	47 mm (1.85 in)
<b>Thickness including connector</b>	65.8 mm (24.41 in)
<b>Weight</b>	2.4kg
<b>Radome material</b>	Modified ASA
<b>IP rating</b>	IP65
<b>Installation</b>	Bracket or Bolt



E-Plane HPBW



H-Plane HPBW



XC-AF900R1 Antenna Technology Specification

All Features and specifications described are subject to change without notice.

### APAC / EMEA

#### Inveno Technology Pte. Ltd

9 Kallang Place  
#07-01 Singapore 339154

Office: +65 6702 3909  
sales@inveno.com

### Americas Sales

#### Inveno Technology Corp.536

Silicon Drive, Suite  
100 Southlake Texas 76092  
United States of America

Office: +1 919 523 0919  
sales.americas@inveno.com

### Global Library Solutions

#### FE Technologies Pty Ltd

129 Fyans Street  
SOUTH GEELONG  
Australia 3220

Office: +1 300 731 991  
enquiries@fetechgroup.com

### Global Handhelds Solutions

#### ATID CO.,LTD.

#603, 184, Gasan Digital 2-Ro,  
Gumcheon-Gu, Seoul,  
Korea, 08501

Office: +82 544 1436  
inquiry@atid1.com